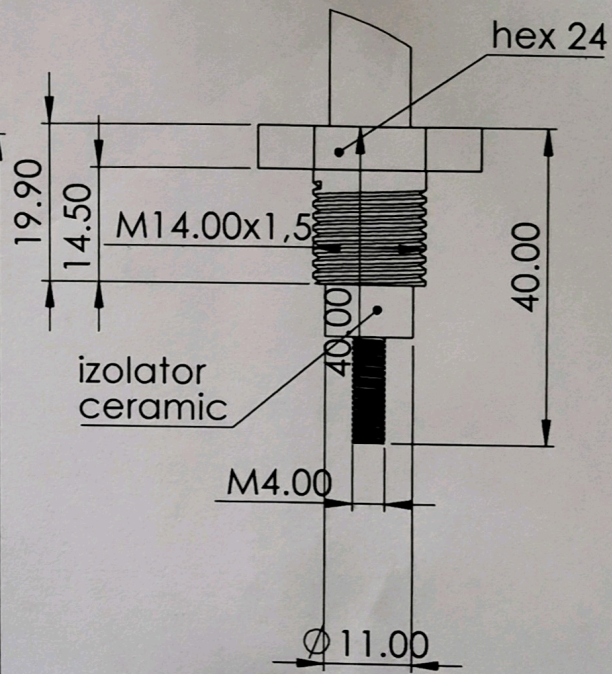
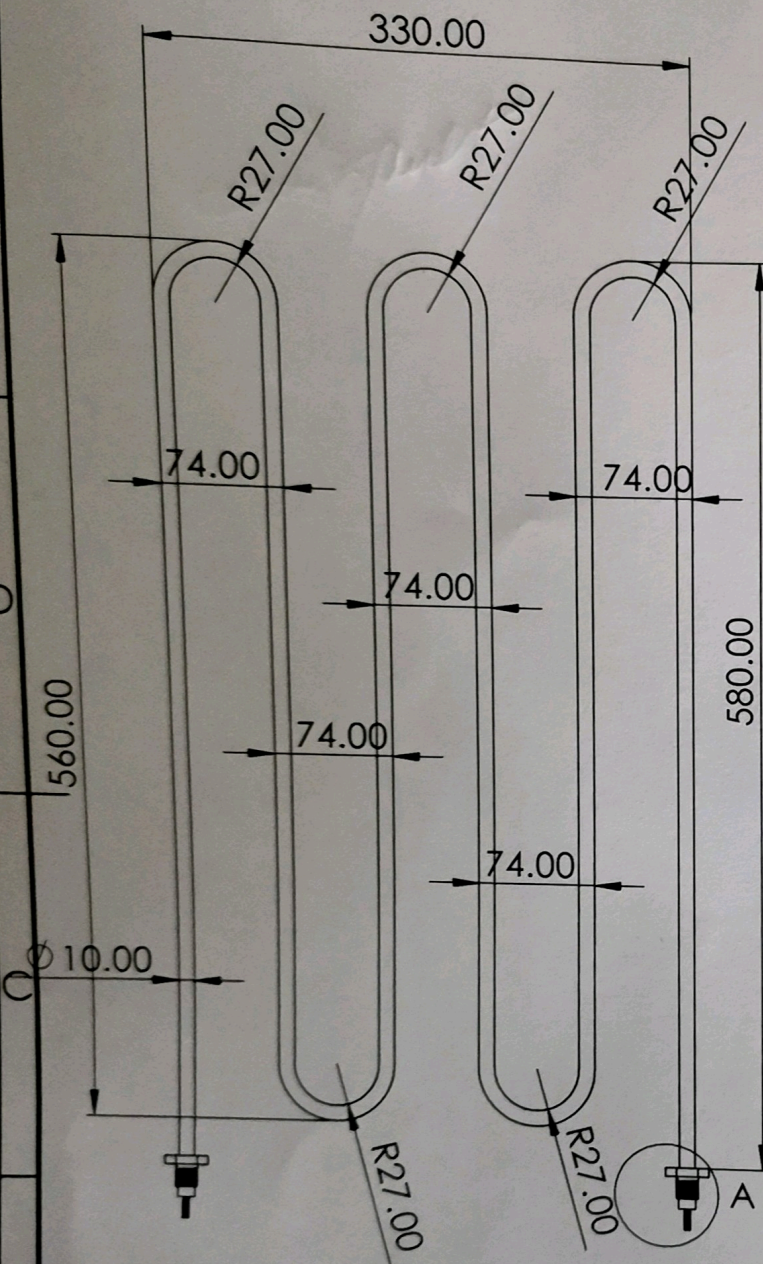


DETALIU A  
SCARA 1 : 1



CARACTERISTICI ELECTRICE

P=1500W  
U=220V

UNLESS OTHERWISE SPECIFIED:  
DIMENSIONS ARE IN MILLIMETERS  
SURFACE FINISH:  
TOLERANCES:  
LINEAR:  
ANGULAR:

FINISH:

DEBURR AND  
BREAK SHARP  
EDGES

DO NOT SCALE DRAWING

REVISION

	NAME	SIGNATURE	DATE
desenat	ALEXIU LUCIAN	<i>[Signature]</i>	
verificat	ALEXIU LUCIAN	<i>[Signature]</i>	
aprobat	ALEXIU LUCIAN	<i>[Signature]</i>	

TITLE:

rezistenta electrica  
cuptor patiserie

DWG NO.

A4

MATERIAL:

WEIGHT:

SCALE: